

MAX-SERIES™

VS-75

**GET COMFORTABLE
WITH MAXIMUM
PRODUCTIVITY.**



The vertical-lift VS-75 MAX-Series™ skid steer loader features incredible operating capacity, reach and breakout force for its size class. Built with a next-generation MAX-Series cab—including 360-degree visibility, a state-of-the-art control panel and more room than ever—it handles long days and tough jobs with ease. Along with this premium operator experience, VS-75 delivers industry-leading speed and ground clearance for maximum productivity, making it the ideal machine for loading, rental, construction, landscaping and snow-removal applications.

// UNMATCHED POWER / PREMIUM CAB / MAXIMUM PRODUCTIVITY

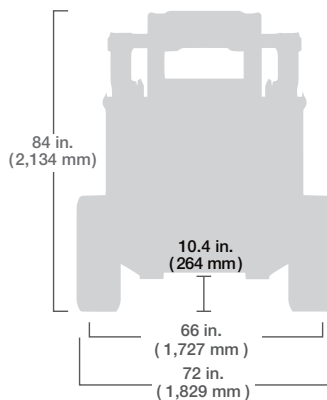
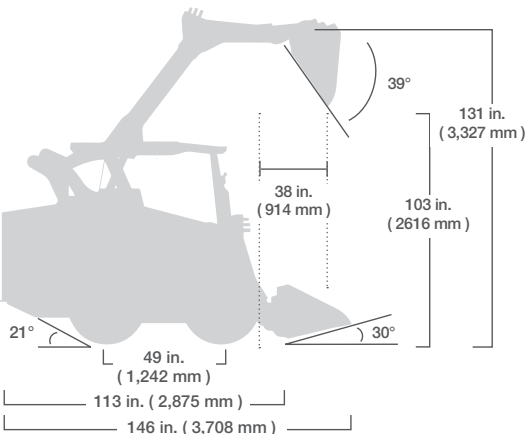
asv

MAX-SERIES™

VS-75 SKID STEER

| OPERATING SPECIFICATIONS | |
|--|---|
| LOADER ARMS | Vertical |
| OPERATING WEIGHT | 8,910 lbs (4,041.5 kg) |
| SHIPPING WEIGHT | 8,095 lbs (3672 kg) |
| OPERATING CAPACITY (50% of tipping load) | 3,500 lbs (1,587 kg) |
| TIPPING LOAD | 7,000 lbs (3,175 kg) |
| TRAVEL SPEED, MAXIMUM- 1 ST SPEED | 8.1 mph (13 kph) |
| TRAVEL SPEED, MAXIMUM- 2 ND SPEED | 11 mph (17.7 kph) |
| BREAKOUT FORCE AT BUCKET EDGE | 5,920 lbs (2,685 kg) |
| GROUND CLEARANCE | 10.4 in. (264.2 mm) |
| WIDTH OVER TIRES | 72 in. (1,829 mm) |
| WIDTH OVER TIRES WITH RIMS REVERSED | 66 in. (1,676 mm) |
| ENGINE | |
| TYPE | Diesel, 4-cylinder, turbocharged |
| MODEL | Deutz TCD 2.9 L4 |
| DISPLACEMENT | 177 in. ³ (2.9 L) |
| GROSS POWER RATING AT 2600 RPM | 74 hp (55 kW) |
| TORQUE, PEAK | 192 ft-lb (260 Nm) |
| COOLING SYSTEM | Engine-driven fan and coolant/anti-freeze-filled radiator |
| INTAKE AIR CLEANER | Dual stage |
| EMISSION CONTROLS | Meets all U.S. EPA Tier 4 final standards |
| DRIVE TRAIN | |
| DRIVE SYSTEM | Hydrostatic |
| CHAIN CASE | Bow tie drive system |
| CHAIN SIZE | 100 ANSI chain |
| WHEEL SIZE | 12 x 16.5 |
| TRACTIVE EFFORT | 8,546 lbs (3,876.4 kg) |

* Machine tested with foundry bucket



| AUXILIARY HYDRAULIC SYSTEM | |
|---|--|
| STANDARD PUMP CAPACITY | 26.1 gpm (98.8 lpm) Optional: 30.9 gpm (117 lpm) |
| SYSTEM PRESSURE, MAX. | 3,335 psi (230 bar) |
| CONTROLS | Variable flow via joystick button or continuous via console switch, mode selectable via dash-mounted switch |
| COUPLERS | Push-to-connect quick couplers mounted on loader arms. Pressure relief valve mounted to coupler block |
| COOLING SYSTEM | High efficiency side-by-side radiator and oil cooler |
| ELECTRICAL SYSTEM | |
| NOMINAL CHARGE | 12 V |
| BATTERY | 800 CCA |
| CHARGING SYSTEM | 95 amp alternator |
| OUTLETS | 1-12 V port inside operator station |
| WIRING | Pre-wired for all factory-available accessories |
| OPERATOR STATION | |
| SEAT: Vinyl seat with built in operator presence switch, Operator Manual pouch, and 2 in (51 mm) wide seat belt, adjustable position seat optional | |
| LOADER CONTROL: Right-hand pilot hydraulic joystick controls loader lift, lower and tilt, plus variable control of auxiliary hydraulic. | |
| DRIVE CONTROL: Left-hand pilot hydraulic joystick controls machine speed and direction. | |
| ENGINE SPEED | Hand-operated dial, foot throttle optional. |
| MACHINE DISPLAY: Engine RPM, engine oil pressure, hydraulic oil high temperature, engine coolant temperature, battery voltage, hourmeter, fuel level, trip meter, engine diagnostics, system monitoring, fault logging. Deluxe includes: 7" color touch screen, integrated rear view camera, password protection with user profiles, job clock, maintenance schedules | |
| ROPS | Restraint-ISO 6683, SAE J2292, Cal OSHA 1596, ISO 3471 |
| FOPS | Meets ISO 3449: Level I and II (Optional) |
| ILLUMINATION | 2 - Fixed forward-facing halogen lights 2 - Adjustable rear-facing halogen light 2 - LED Side lights (optional) 1 - Interior light |
| CONVENIENCE | 12 V power port |
| STANDARD FEATURES | Horn, backup alarm, cupholder, phoneholder, behind seat storage, rear view mirror, lapbar, roof escape hatch, roof panel & rear cab windows. Premium Features: Adjustable joystick & arm rest positions, adjustable directional & air flow HVAC vents, radio with bluetooth & USB, frameless front door, attachment control kit, wiper/washer, beacon switch/outlet, easy-off door |