



VS-75 Skid Steer Loader



VS-75 Brief Specifications

Operating weight:	8,740 lbs 3964 kg
Tipping load:	7,000 lbs 3175 kg
Breakout force:	5,920 lbs 2685 kg
Gross engine power:	74 hp 55 kW

OPERATING SPECIFICATIONS

Loader arms	Vertical
Operating weight	8,740 lbs 3964 kg
Shipping weight	7,925 lbs 3594 kg
Operating capacity, 50% of tipping load	3,500 lbs 1587 kg
Tipping load	7,000 lbs 3175 kg
Travel speed, maximum - 1 st speed	8.2 mph 13 kph
Travel speed, maximum - 2 nd Speed (optional)	11 mph 17.7 kph
Breakout force at bucket edge	5,920 lbs 2685 kg
Arm lifting force	6,325 lb 2828 kg
Ground clearance, unloaded	10.5 in. 267 mm
Ground clearance, loaded	10 in. 254 mm
Width over tires	72 in. 1829 mm
Width over tires with rims reversed	66 in. 1676 mm

ENGINE

Type	Diesel, 4-cylinder, turbocharged
Model	Deutz TD2.9L4
Displacement	177 in ³ 2.9 L
Gross power rating @ 2800 rpm	74 hp 55 kW
Torque, peak	192 ft-lb 260 Nm
Cooling system	Engine-driven fan and coolant/ anti-freeze-filled radiator
Intake air cleaner	Dual stage
Emission controls	Meets all U.S. EPA Tier 4 final standards

DRIVE TRAIN

Drive system	Hydrostatic
Chain case	Bow tie drive system
Chain size	100 ANSI chain
Wheel size	12x16.5
Tractive effort	8,800 lbs 3995 kg

* Machine tested with foundry bucket

AUX. HYDRAULIC SYSTEM

Pump capacity	26 gpm 98.4 lpm Optional - 30.9 gpm 116.9 lpm
System pressure, max.	3,335 psi 230 bar
Controls	Intermittent via joystick button or continuous via console switch, mode selectable via dash-mounted switch
Couplers	Push-to-connect quick couplers mounted on loader arms Pressure relief valve mounted to coupler block
Cooling system	High efficiency side-by-side radiator and oil cooler

ELECTRICAL SYSTEM

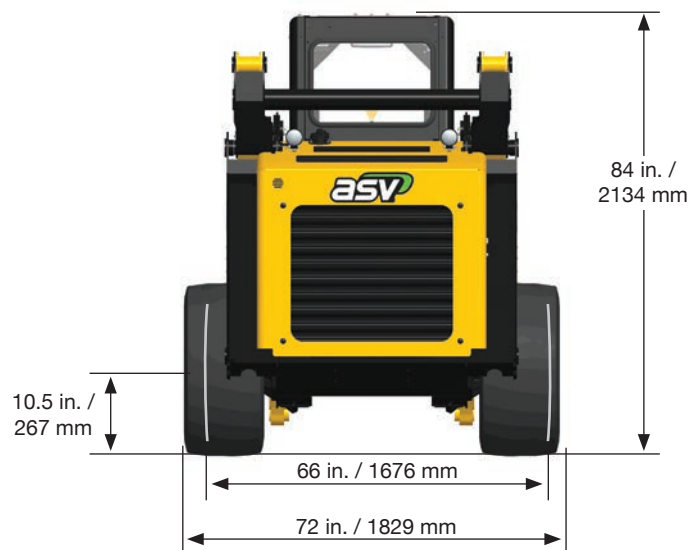
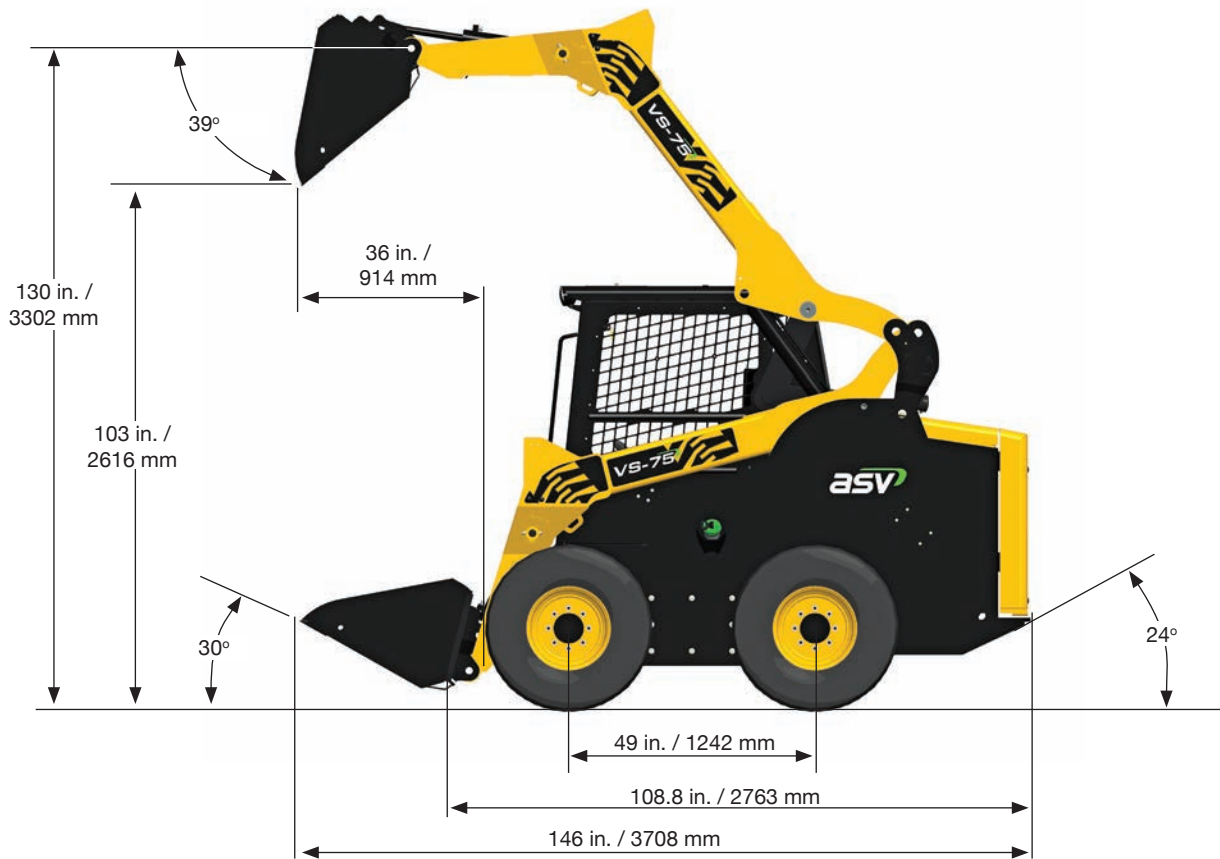
Nominal charge	12 V
Battery	800 CCA
Charging system	95 amp alternator
Outlets	1-12 V port inside operator station
Wiring	Pre-wired for all factory-available accessories

OPERATOR STATION

Seat:	Adjustable contour vinyl with built-in operator presence switch, lap bar and 2 in 51 mm wide seat belt
Loader control:	Right-hand pilot hydraulic joystick controls loader lift/ lower and tilt, plus intermittent control of auxiliary hydraulic
Drive control:	Left-hand pilot hydraulic joystick controls machine speed and direction
Engine speed	Foot throttle
Machine display	Engine RPM Engine coolant temperature Engine oil pressure Hydraulic oil temperature Battery voltage Hour meter Fuel level
ROPS / FOPS	Meets ISO 3471, ISO 6683, ISO 3449:2005 Level 1
Illumination	4 - Fixed forward-facing halogen lights 2 - Adjustable rear-facing halogen light 1 - Interior light
Convenience	12 V power port
Horn	
Backup alarm	
Sound insulation	
Rear window	

DIMENSIONS

VS-75



SERVICE REFILL CAPACITIES

Fuel tank	28 gal 106 L
Hydraulic tank	10 gal 38 L
Engine coolant/antifreeze	5 gal 19 L
Engine oil, including filter	9 quarts 8.5 L

OPTIONAL ATTACHMENTS

Auger drive and bits	Grapple bucket
Backhoe	Pallet forks
Broom, rotary	Power box rake
Bucket, general purpose	Snow blade
Bucket, light material	Snow blower
Bucket, multi-purpose	Stump grinder
Brush cutter, rotary	Trencher
Dozer blade	Vibratory roller
Eliminator rake	



Effective Date: May, 2016

Product specifications and prices are subject to change without notice or obligation. The photographs and/or drawings in this document are for illustrative purposes only. Refer to the appropriate Operator's Manual for instructions on the proper use of this equipment. Failure to follow the appropriate Operator's Manual when using our equipment or to otherwise act irresponsibly may result in serious injury or death. The only warranty applicable to our equipment is the standard written warranty applicable to the particular product and sale and ASV makes no other warranty, express or implied. © 2017 ASV Holdings, Inc. ASV, the ASV logo design and Positrack are trademarks of ASV Holdings, Inc.

ASV Holdings, Inc.

840 Lily Lane
Grand Rapids, MN
55744-4089

Toll-free: (800) 205-9913
Fax: (218) 327-2297
www.asvi.com

